



YZF-R1

PAPER CRAFT

Assembly Instructions



Thank you for downloading the "YZF-R1" paper craft model. By simply following this manual while referring to the names and numbers shown on the parts sheets, you can assemble an authentic-looking replica of the YZF-R1.

- Assembly instructions: Fifteen A4-sized sheets.
- Paper craft: Fourteen A4-sized sheets with 170 parts in all

These instructions apply only to the "YZF-R1".
Other paper craft model instructions can be downloaded separately.
The parts are easier to work with when printed on strong, thick paper.

Note

TO BEGIN

■ Tools and materials needed

-Ruler -Scissors - Blade cutter or "Exacto-knife" - Awl or other pointed tool (for making a folding crease) - Felt pen - Pin set - Glue - Hand towel (for cleaning your fingers) - Dictionary or other heavy book (to press the papers flat)

■ Item of Caution

*Take care when using sharp or pointed objects or when using bladed cutting tools. Place a heavy sheet of paper under the paper you want to cut.

*Use glue and other adhesives only in well-ventilated areas.

*When printing, use a slightly reduced font size as there are many differences in dimensions depending on the type of printer used.

HOW TO ASSEMBLE

*Follow the working method and markings carefully.

*Cut carefully along the outer line with a cutting blade, Exacto-knife or scissors.

One - point Advice

*Cut carefully with a cutting blade, Exacto-knife or scissors.

*For folding parts, first use an awl or other pointed tool to make a light crease along the dotted or solid line. This will make the folds straight. Avoid making strong creases, as this will cause the paper to tear.

*As an adhesive, white, wood glue is recommended. Avoid over application as this will cause the paper to wrinkle.

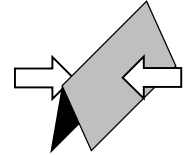
*Before beginning assembly, test adhesive amounts on extra paper.

*Occasionally, white spots will be apparent on folds and cuts. Use a marker or pencil to fill-in these spots. It is recommended that this be done after each stage of assembly because coloring becomes more difficult once parts are assembled.

Basic working method and markings

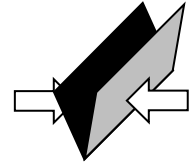
Solid lines

Fold along these lines. The printed surface should be on the outside of the folded shape.



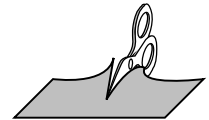
Broken lines

Fold along these lines. The printed surface should be on the inside of the folded shape.

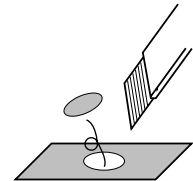


Dotted line

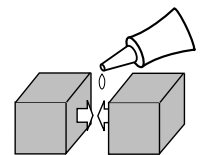
Cut along these lines



Cut out parts marked with an asterisk(*).



Red dots are the reference positions for gluing surfaces.



1 Assembling the Front Cowl

First, assemble each component by following the working method and markings. Then, refer to the illustration and photos below to glue the parts together.

Indication of Working Methods



Fold or Curve

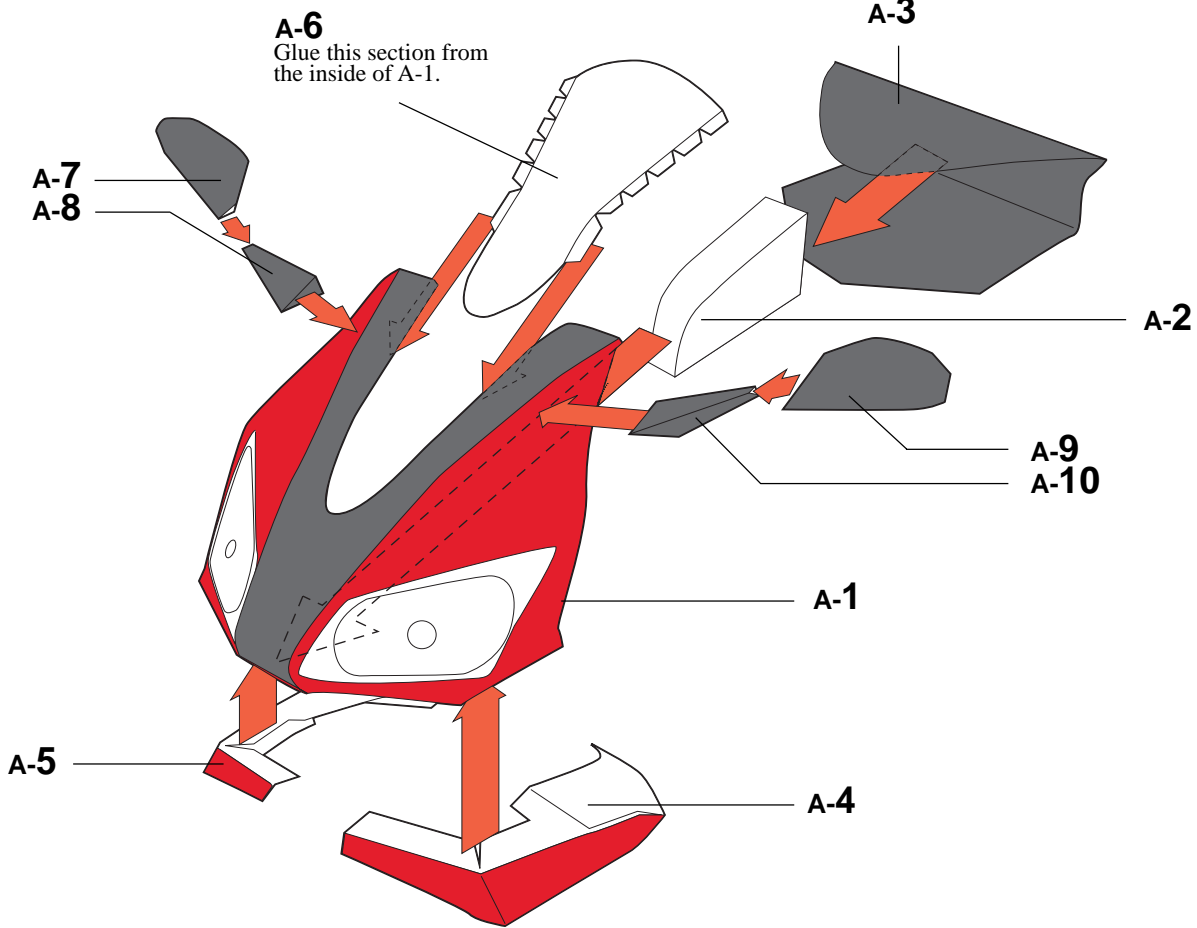


Adhere

FRONT COWL

Sheet A, 10 parts in total

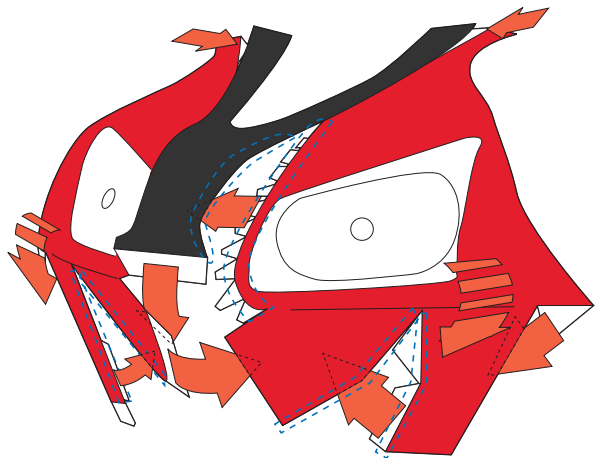
Please use the ● dots on each component as reference when gluing surfaces.



Reference photo



A-1



Fold the parts as shown above so that the dotted lines on the gluing surfaces are lined up before gluing each section.

2 Assembling the Steering

First, assemble each component by following the working method and markings. Then, refer to the illustration and photos below to glue the parts together.

Indication of Working Methods



Fold or Curve

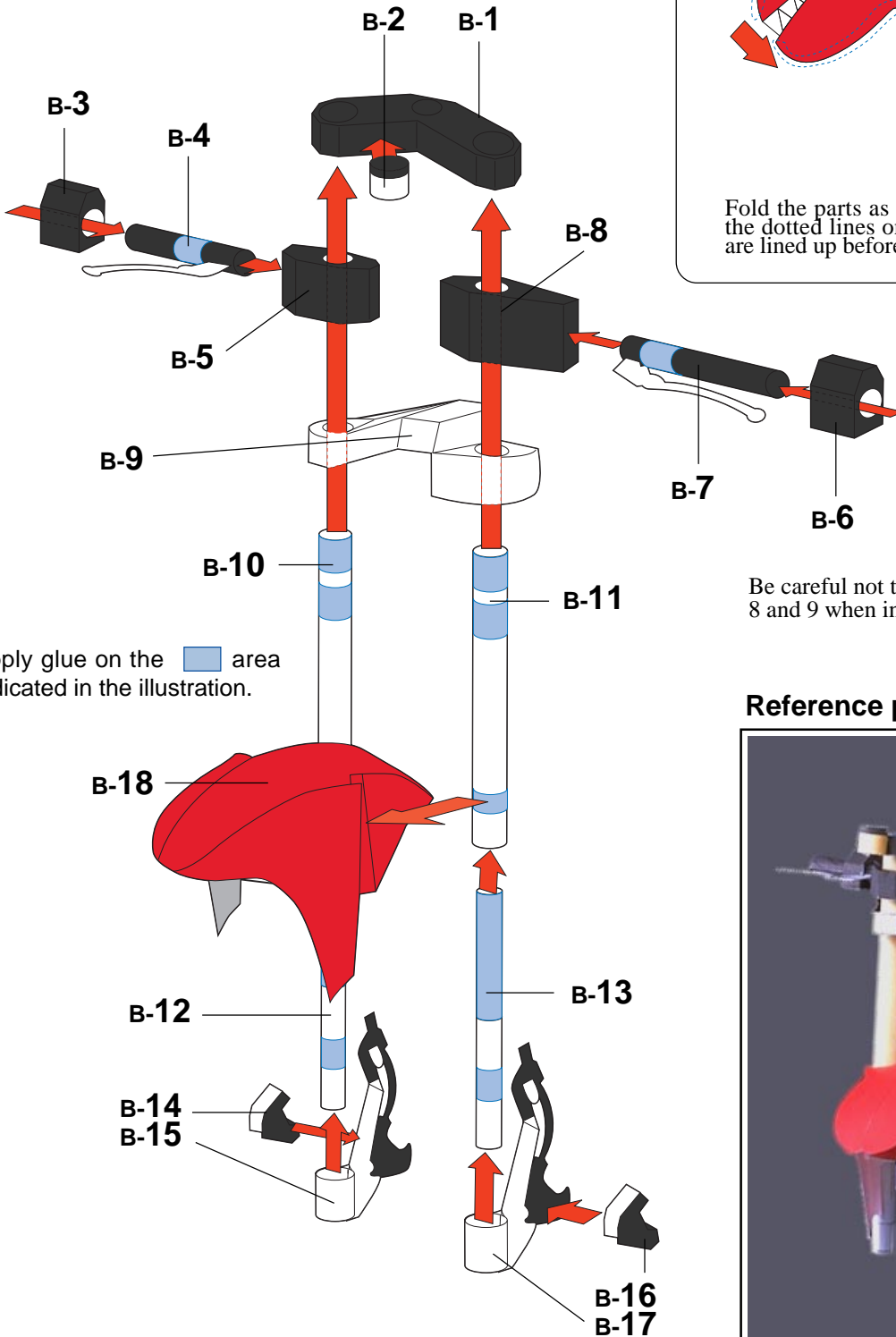



Adhere

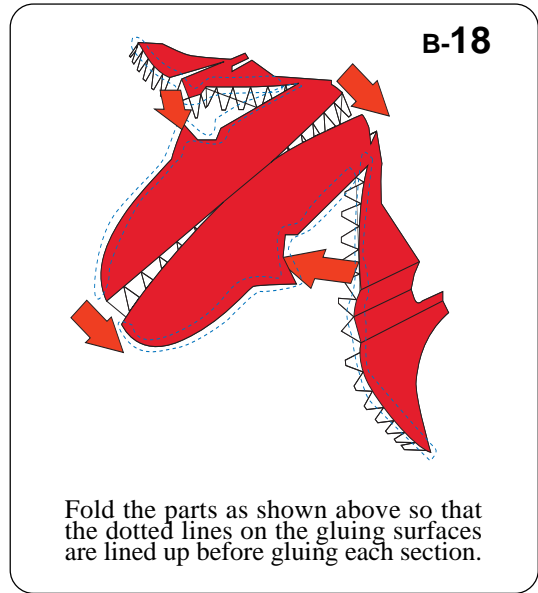
STEERING

Sheet B, 18 parts in total

Please use the ● dots on each component as reference when gluing surfaces.



Apply glue on the  area indicated in the illustration.



Fold the parts as shown above so that the dotted lines on the gluing surfaces are lined up before gluing each section.

Be careful not to leave any glue on B-5, 8 and 9 when inserting B-10 and 11.

Reference photo



3 Assembling the Frame

First, assemble each component by following the working method and markings. Then, refer to the illustration and photos below to glue the parts together.

Indication of Working Methods

 Fold or Curve  Adhere

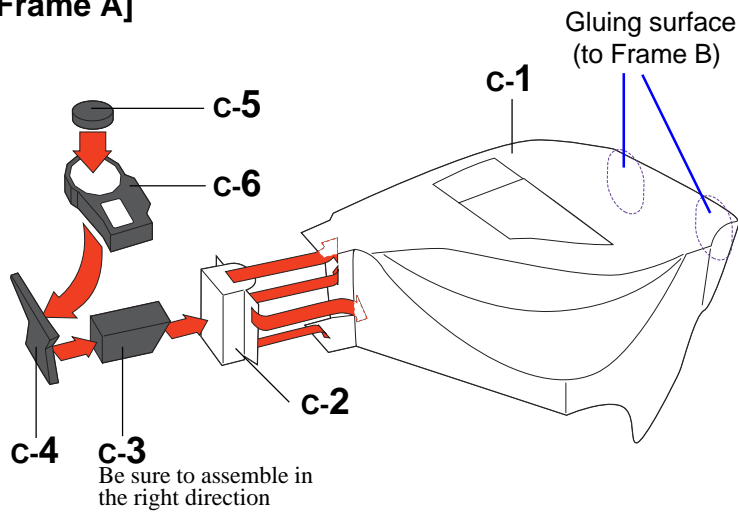
FRAME

Sheet C (x2), 23 parts in total

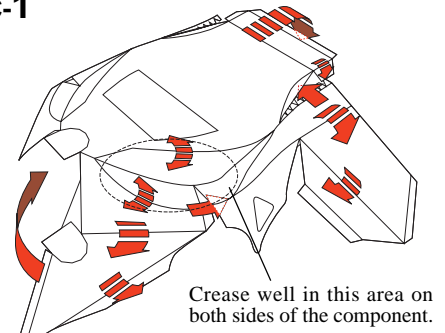
After assembling both Frames A and B, glue the two on the gluing surface shown below.

Please use the ● dots on each component as reference when gluing surfaces.

[Frame A]

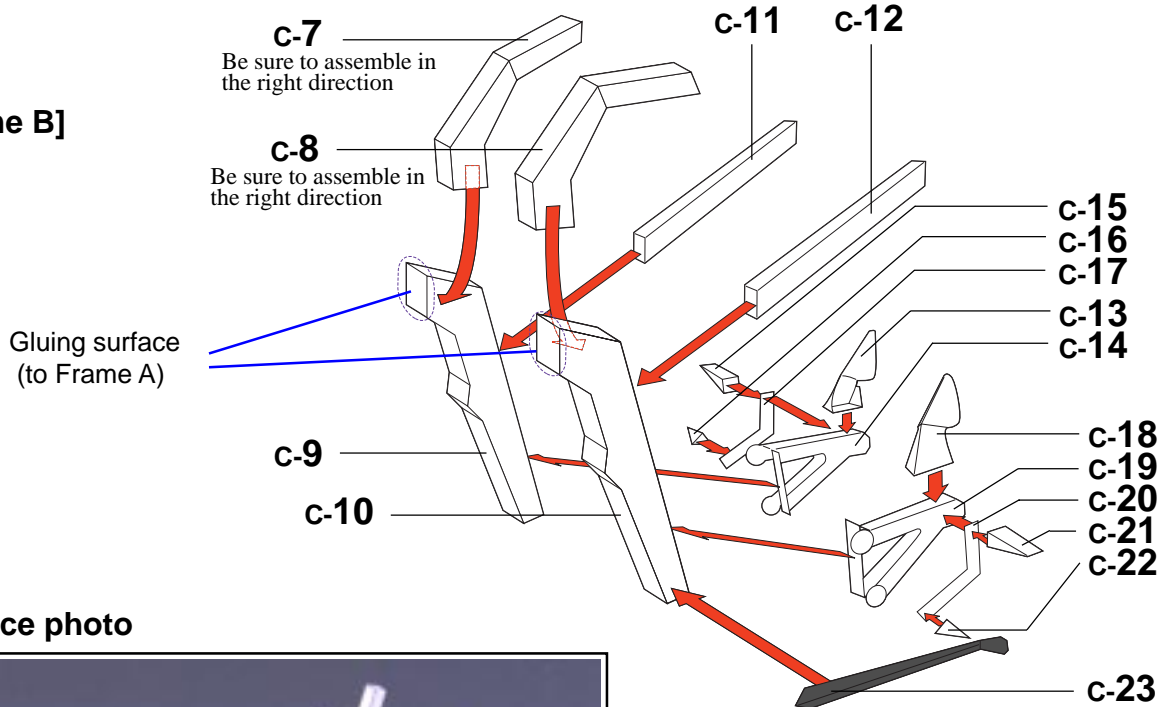


c-1

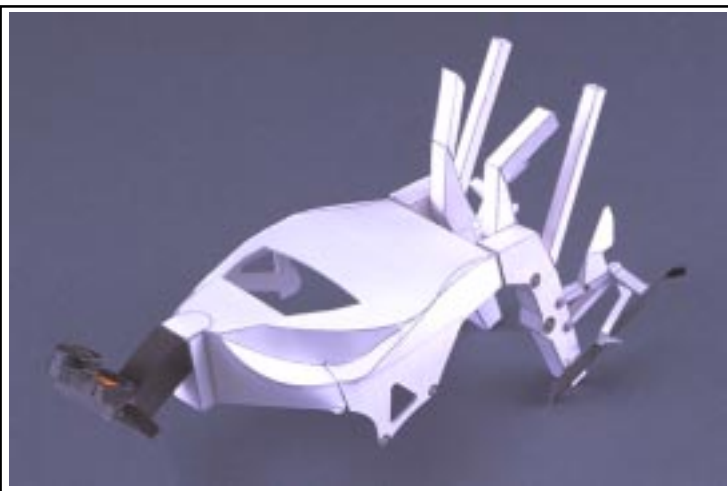


Fold the parts as shown above so that corresponding gluing areas are lined up before gluing each section.

[Frame B]



Reference photo



4 Assembling the Fuel Tank

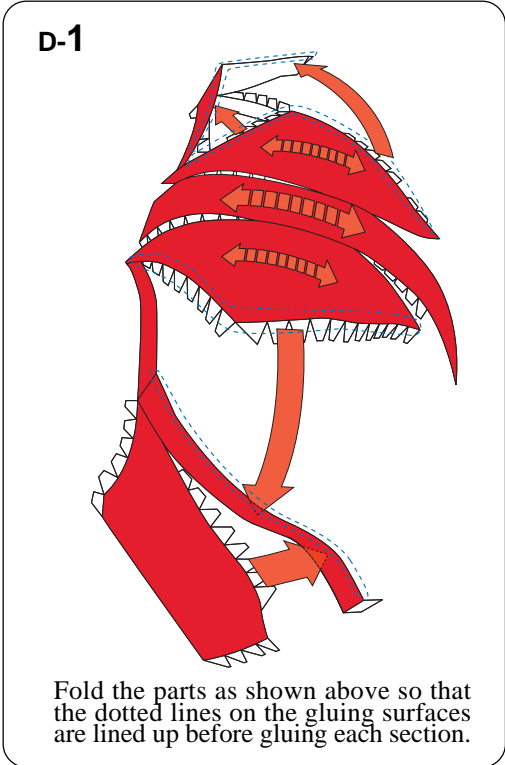
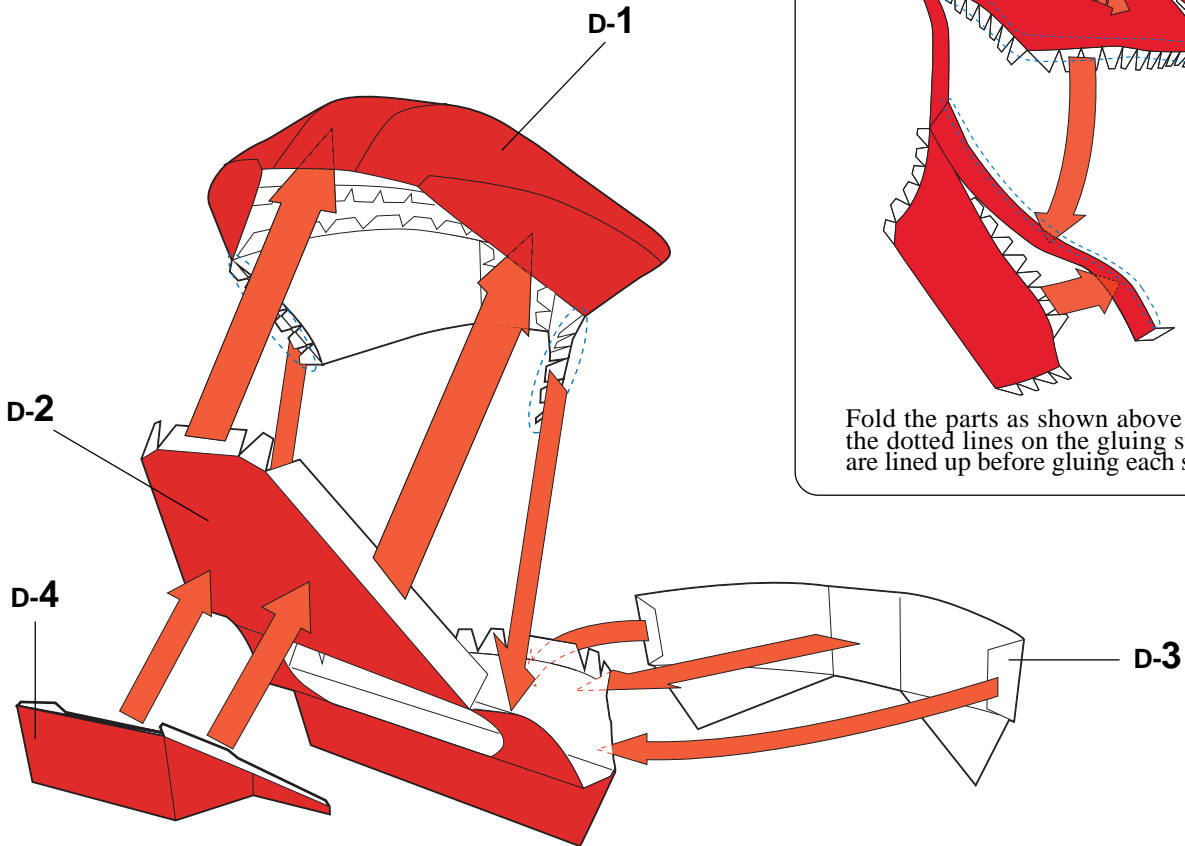
First, assemble each component by following the working method and markings. Then, refer to the illustration and photos below to glue the parts together.

Indication of Working Methods  Fold or Curve  Adhere

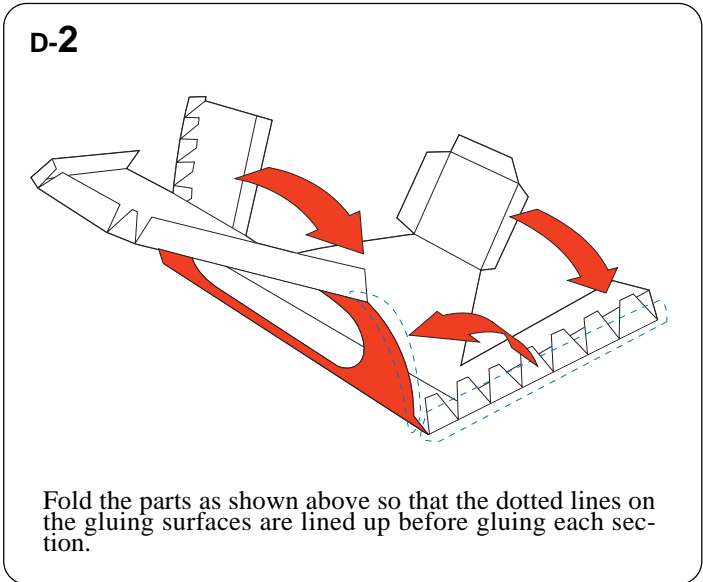
FUEL TANK

Sheet D 4 parts in total

Please use the ● dots on each component as reference when gluing surfaces.



Reference photo



5 Assembling the Engine

First, assemble each component by following the working method and markings. Then, refer to the illustration and photos below to glue the parts together.

Indication of Working Methods



Fold or Curve

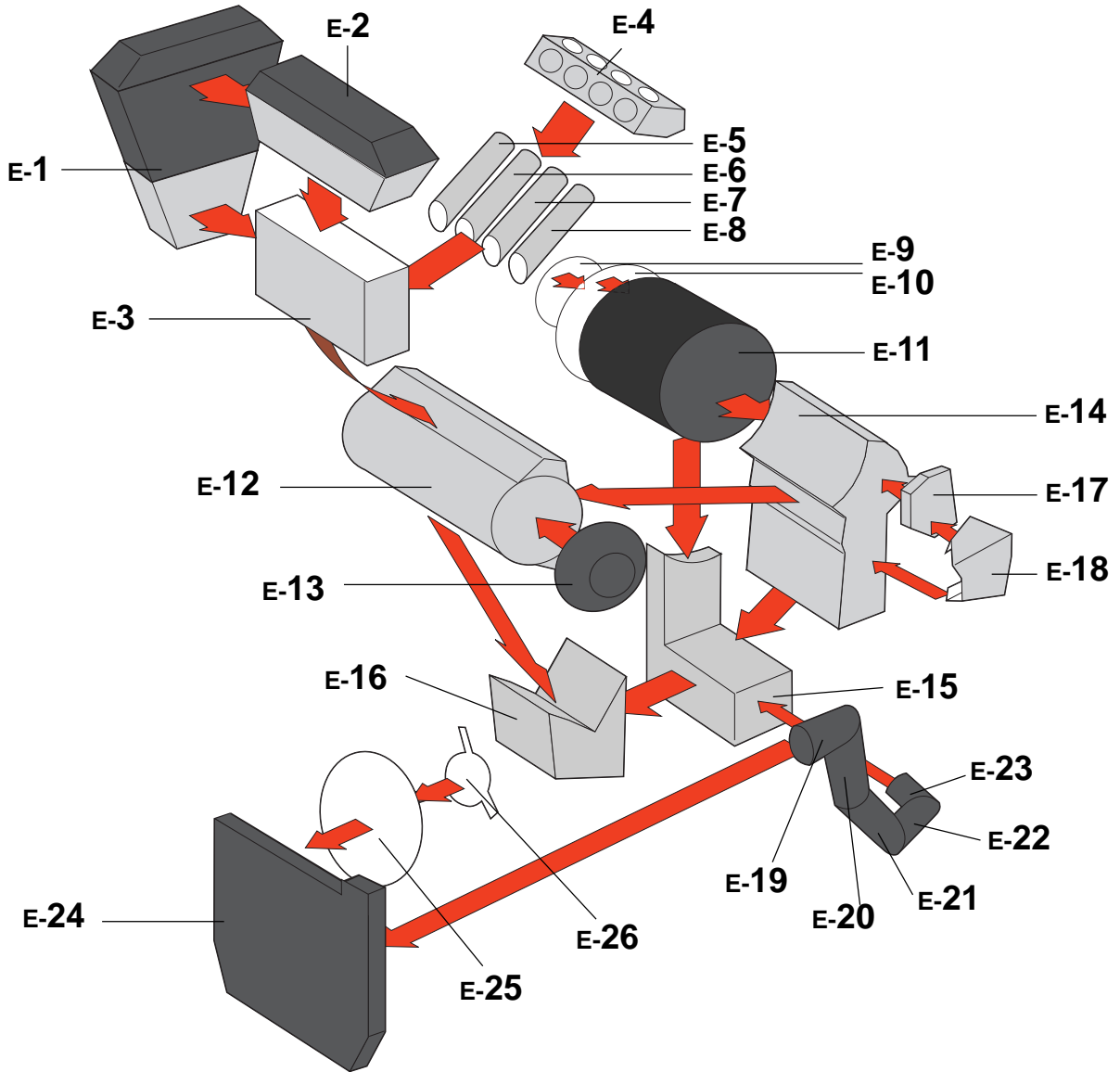


Adhere

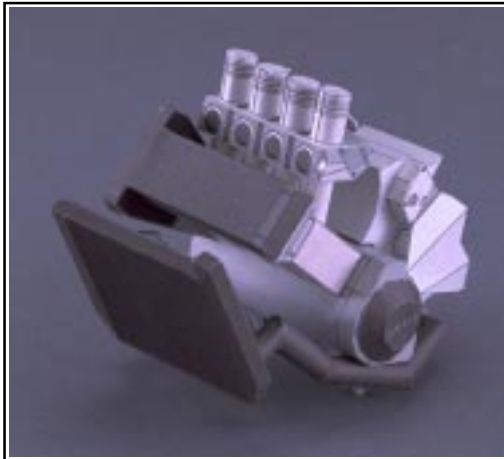
ENGINE

Sheet E, 26 parts in total

Please use the ● dots on each component as reference when gluing surfaces.



Reference photo



6 Assembling the Under Cowl

First, assemble each component by following the working method and markings. Then, refer to the illustration and photos below to glue the parts together.

Indication of Working Methods



Fold or Curve

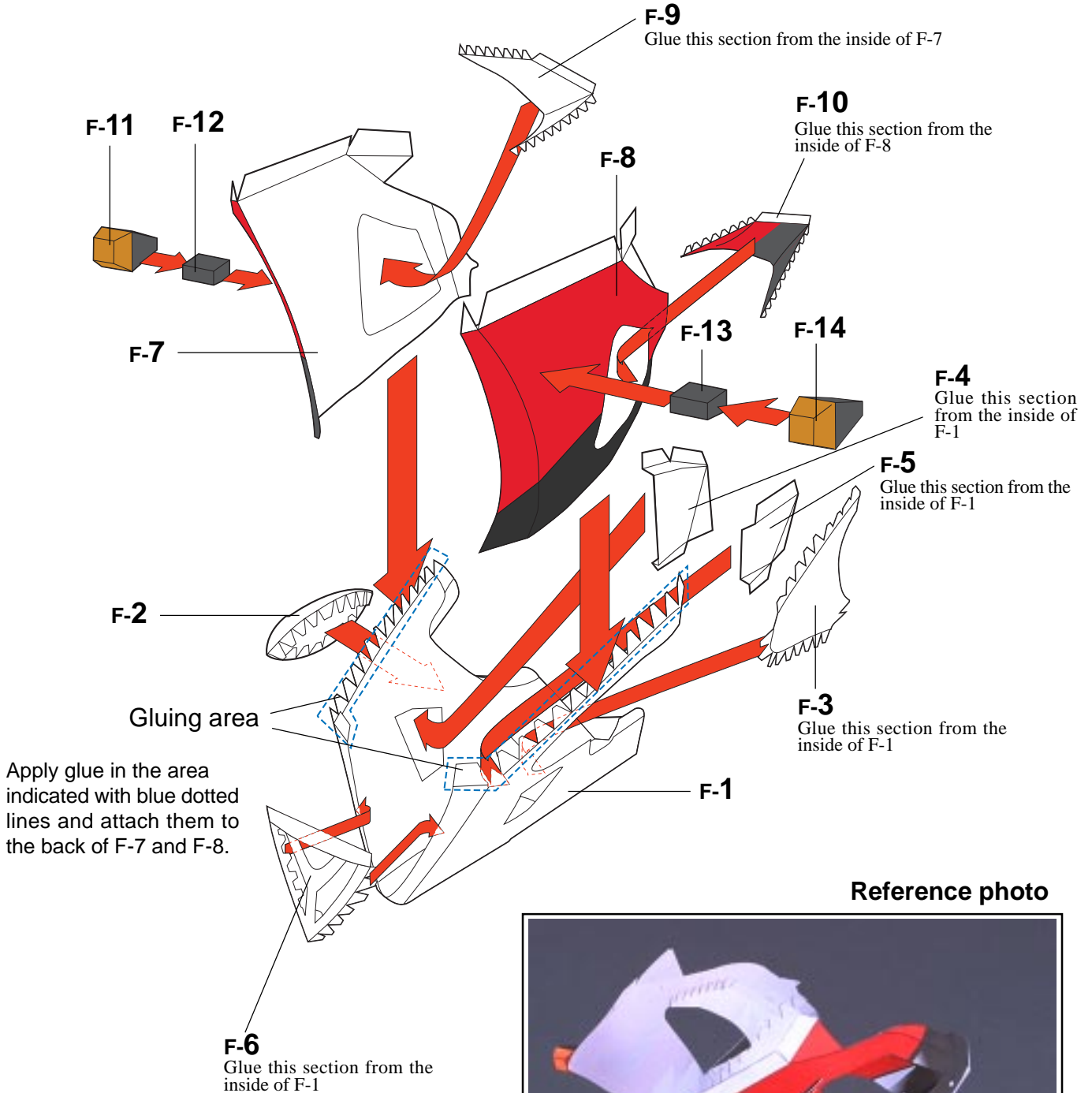


Adhere

UNDER COWL

Sheet F, 14 parts in total

Please use the ● dots on each component as reference when gluing surfaces.



7 Assembling the Exhaust

First, assemble each component by following the working method and markings. Then, refer to the illustration and photos below to glue the parts together.

Indication of Working Methods

 Fold or Curve  Adhere

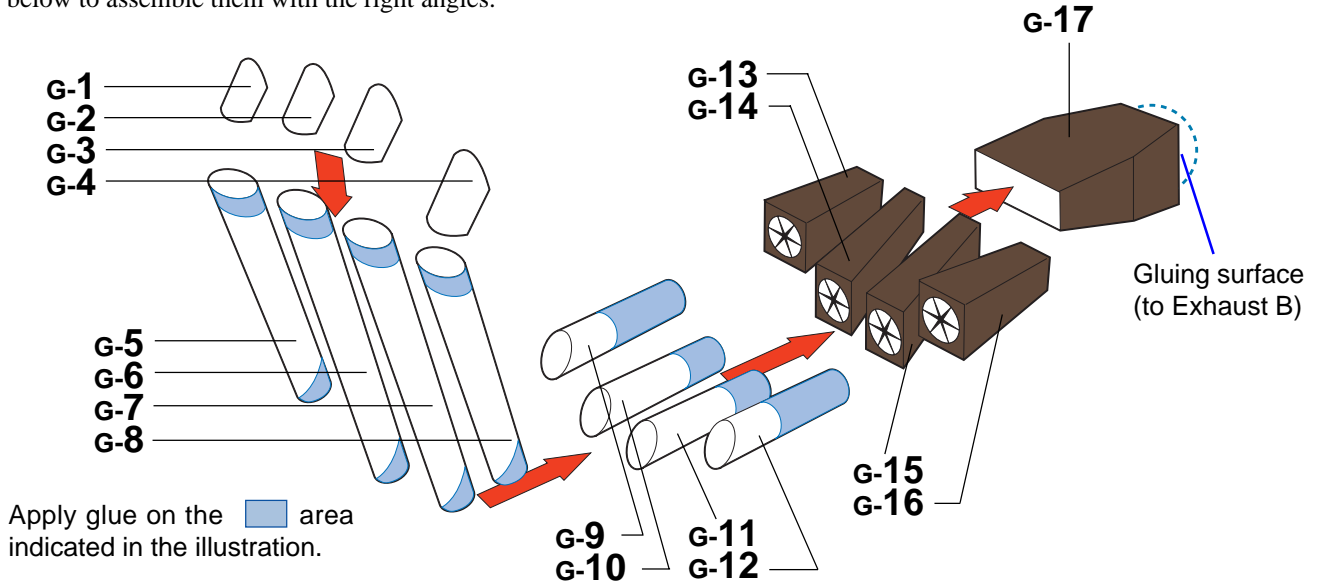
EXHAUST

Sheet G, 26 parts in total

After assembling both Exhaust Pipes A and B, glue the two on the gluing surface shown below. Please use the ● dots on each component as reference when gluing surfaces.

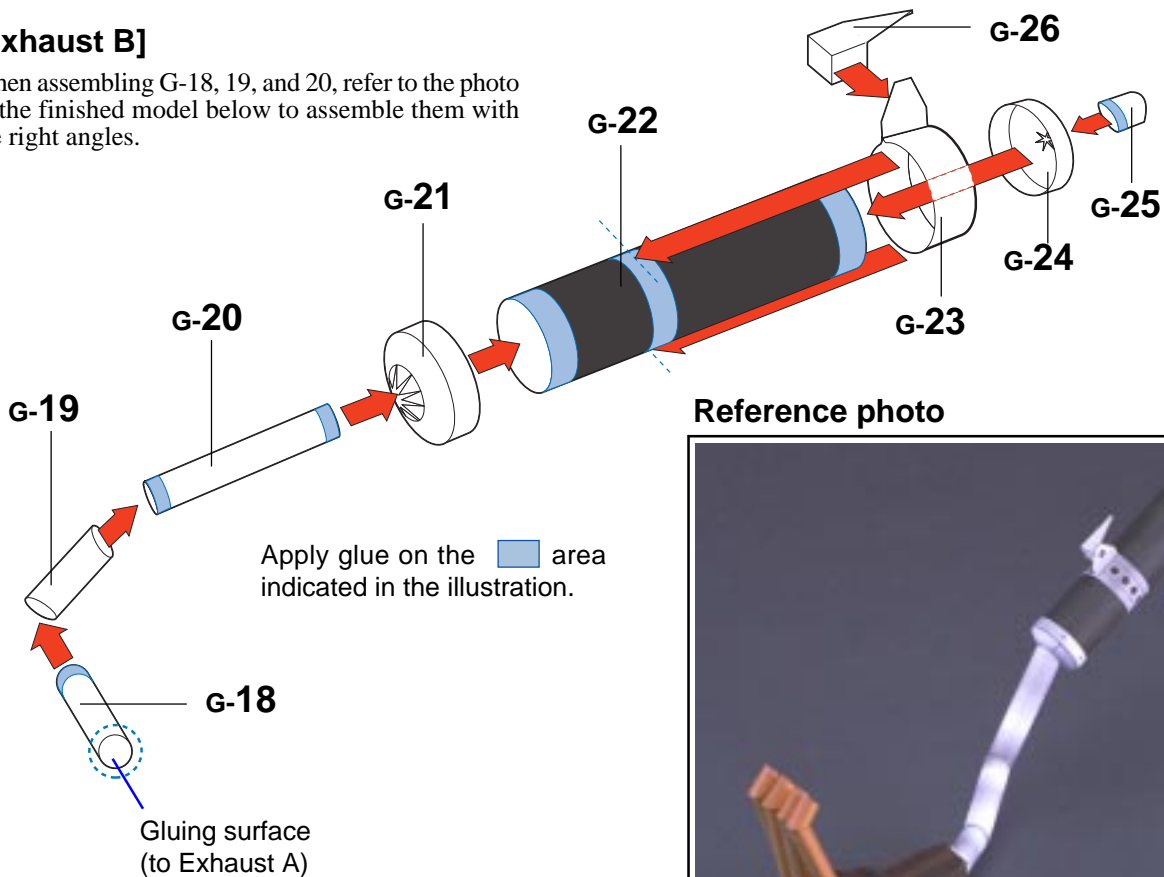
[Exhaust A]

When assembling G-1 through G-8, refer to the photo of the finished model below to assemble them with the right angles.



[Exhaust B]

When assembling G-18, 19, and 20, refer to the photo of the finished model below to assemble them with the right angles.



Reference photo



8 Assembling the Rear Arm

First, assemble each component by following the working method and markings. Then, refer to the illustration and photos below to glue the parts together.

Indication of Working Methods

 Fold or Curve  Adhere

REAR ARM

Sheet H, 11 parts in total

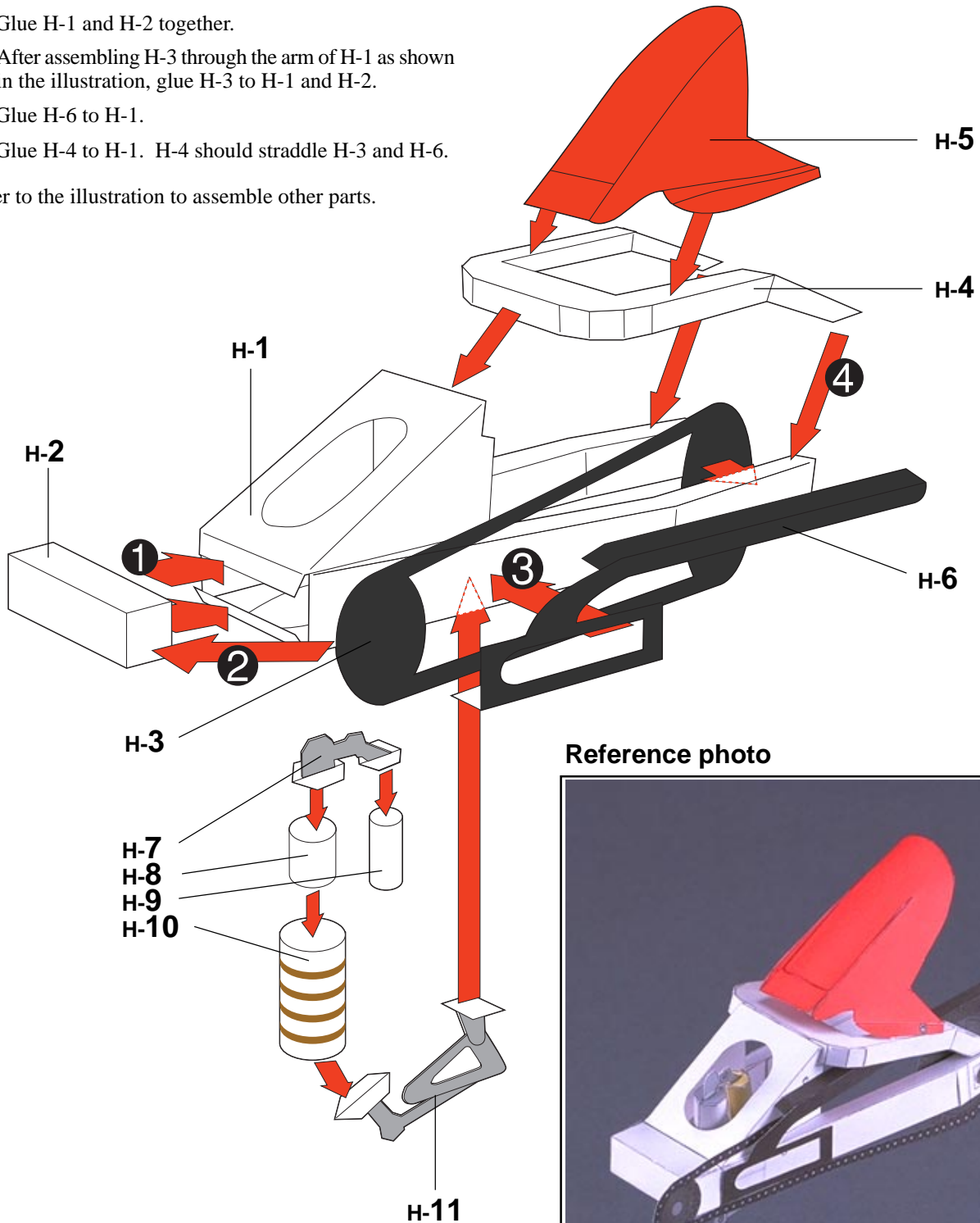
Please use the ● dots on each component as reference when gluing surfaces.

Follow the step-by-step assembly instructions ① ② ③ ④ shown below.

Assembly Instructions

- ① Glue H-1 and H-2 together.
- ② After assembling H-3 through the arm of H-1 as shown in the illustration, glue H-3 to H-1 and H-2.
- ③ Glue H-6 to H-1.
- ④ Glue H-4 to H-1. H-4 should straddle H-3 and H-6.

Refer to the illustration to assemble other parts.



Reference photo



9 Assembling the Seat Cowl

First, assemble each component by following the working method and markings. Then, refer to the illustration and photos below to glue the parts together.

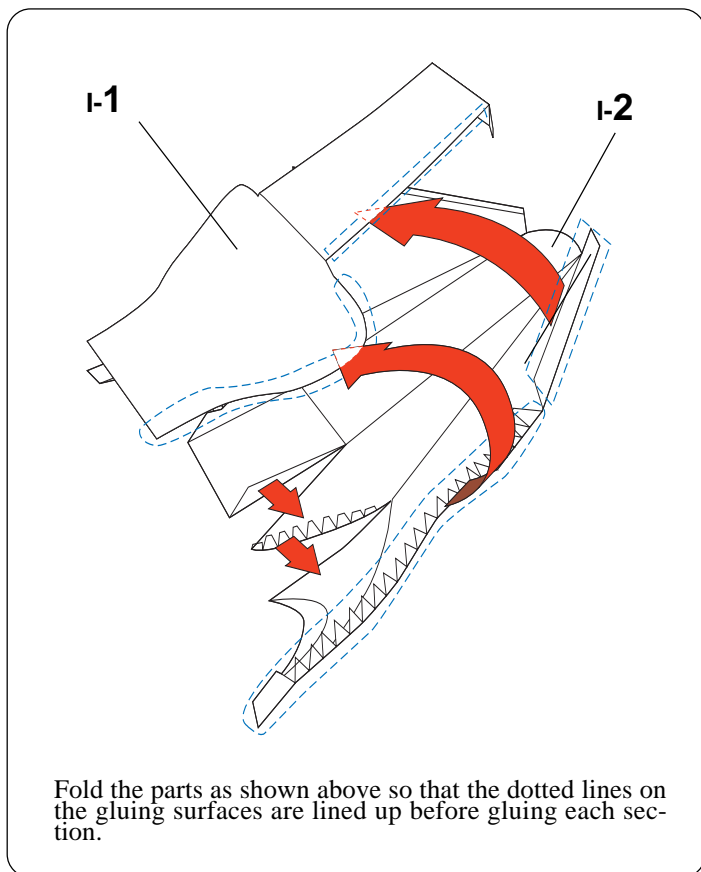
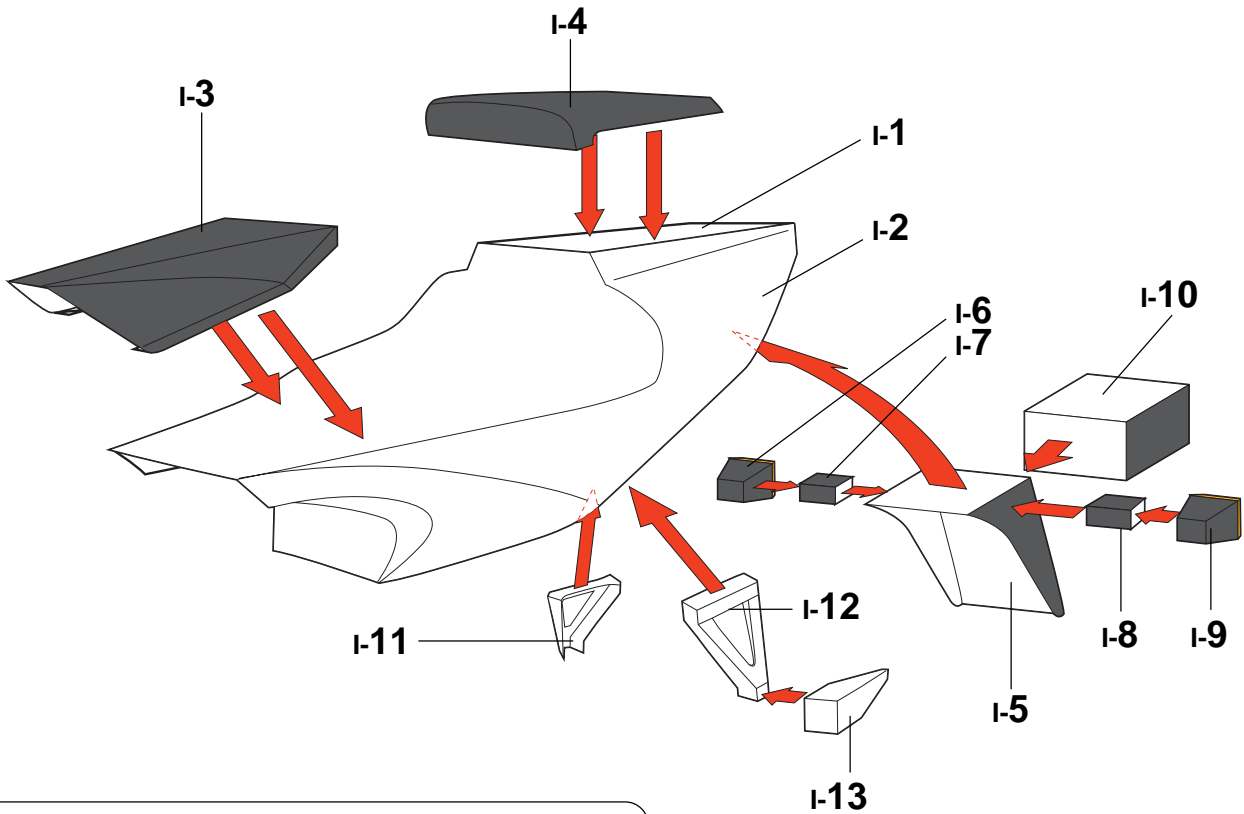
Indication of Working Methods

 Fold or Curve  Adhere

SEAT COWL

Sheet 1, 13 parts in total

Please use the ● dots on each component as reference when gluing surfaces.



Fold the parts as shown above so that the dotted lines on the gluing surfaces are lined up before gluing each section.

Reference photo



10 Assembling the Front and Rear Tires

First, assemble each component by following the working method and markings. Then, refer to the illustration and photos below to glue the parts together.

Indication of Working Methods



Fold or Curve



Adhere

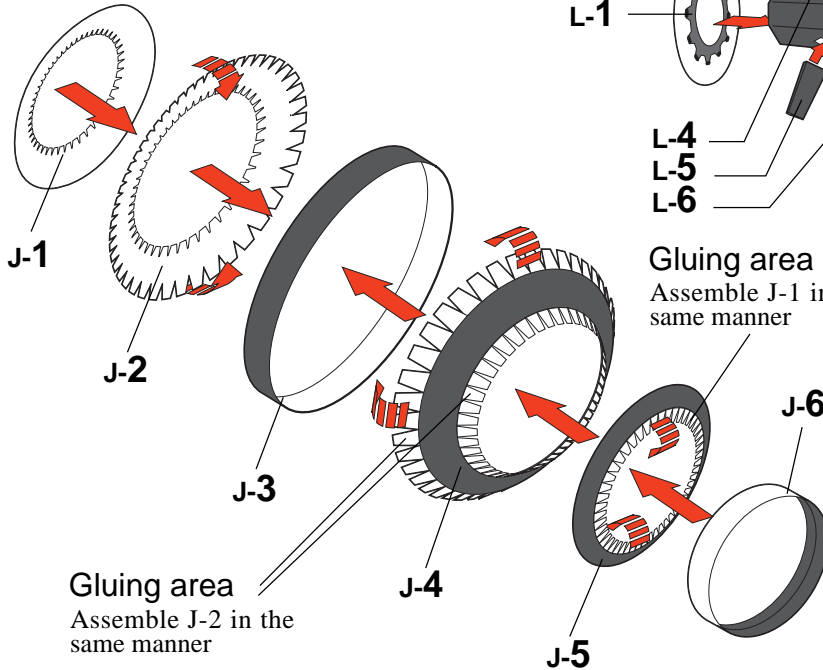
FRONT TIRE

Sheet J & L, 12 parts in total

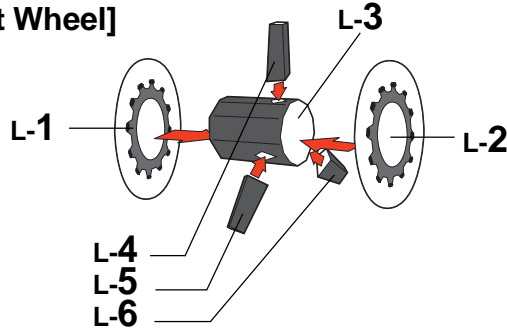
Insert the assembled wheel in the assembled tire before gluing them together.

Please use the ● dots on each component as reference when gluing surfaces.

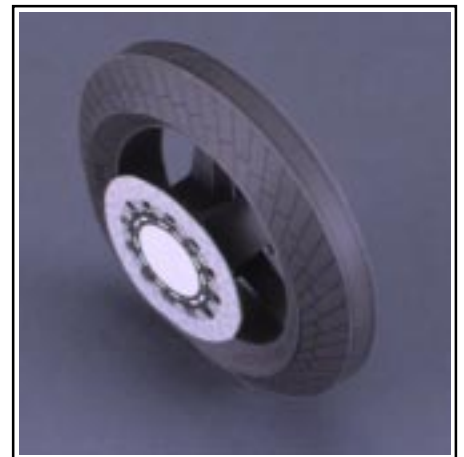
[Front Tire]



[Front Wheel]



Reference photo



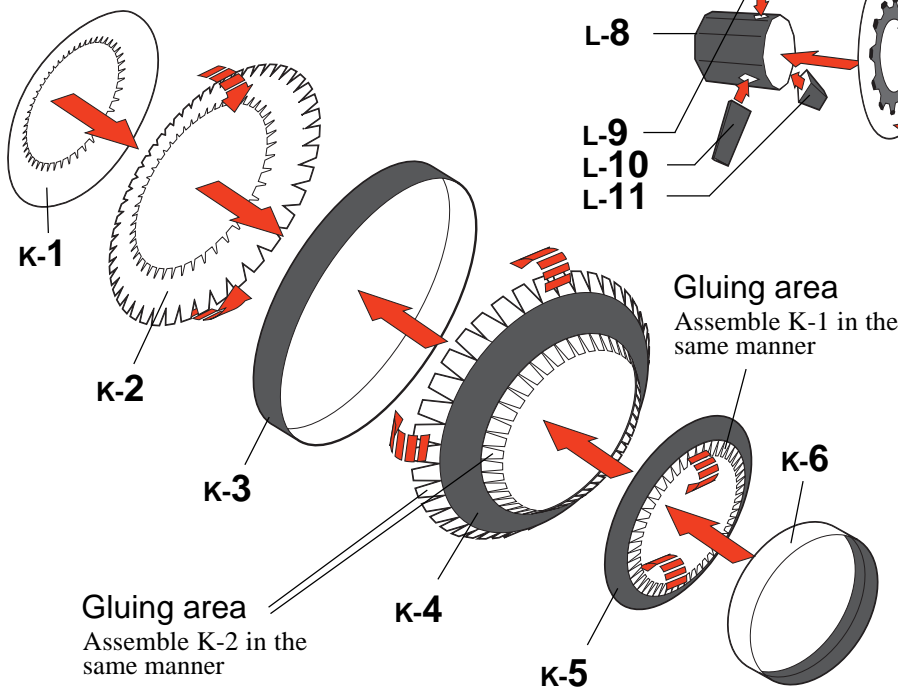
REAR TIRE

Sheet K & L, 13 parts in total

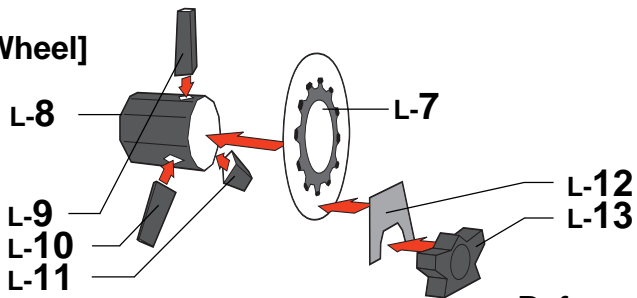
Insert the assembled wheel in the assembled tire before gluing them together.

Please use the ● dots on each component as reference when gluing surfaces.

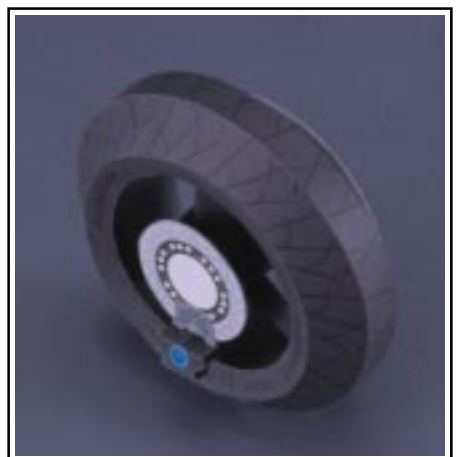
[Rear Tire]



[Rear Wheel]



Reference photo

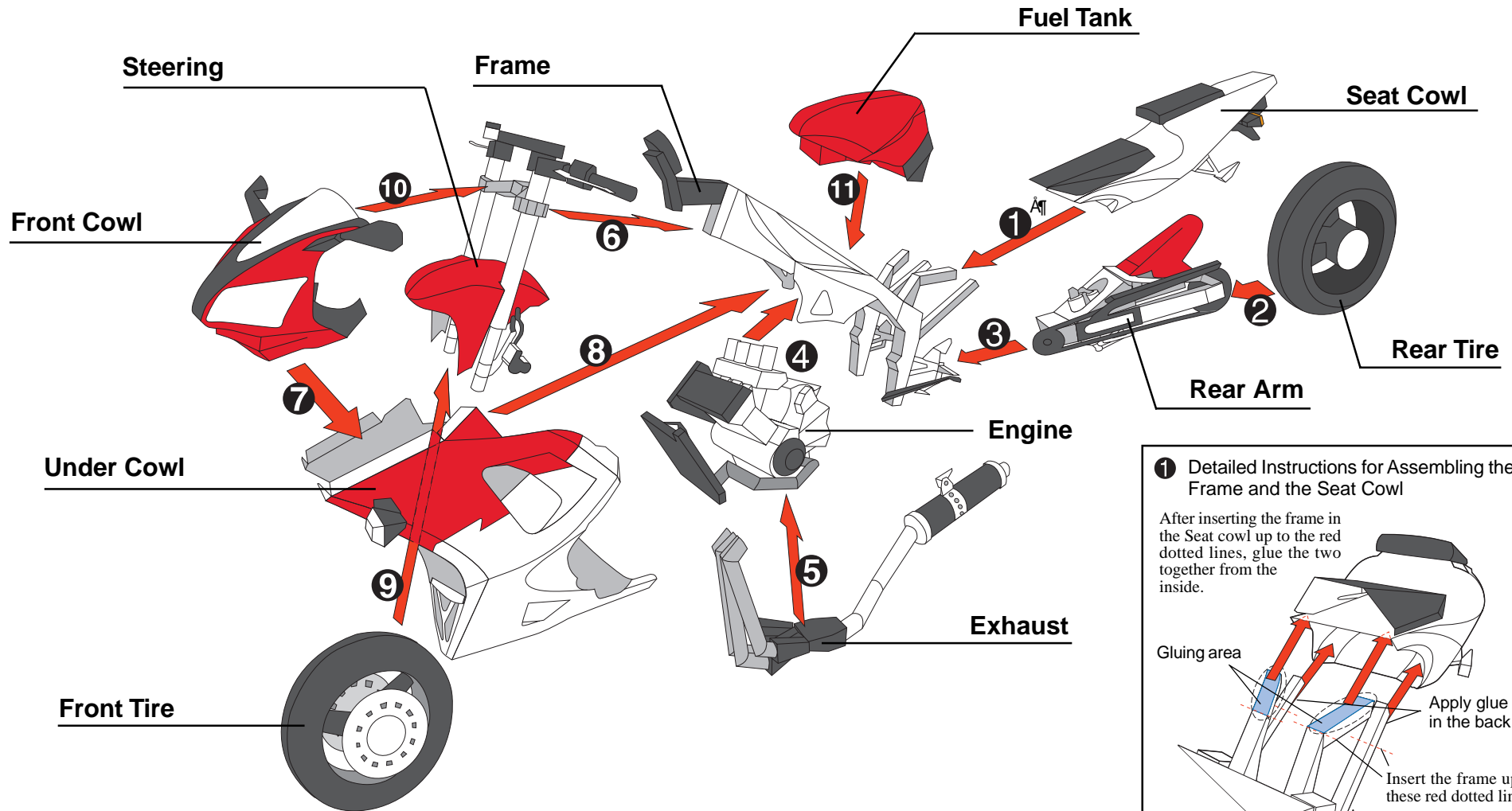


11 Finish

Assembly Instruction

glue the assembled parts in numerical order ① through ⑪.

Please use the ● dots on each component as reference when gluing surfaces.



12 Assembled Model and the List of Parts

Please refer to the photo below when attaching each component.

RIGHT

FRONT

Seat Cowl

- | | | |
|-----|-----|------|
| I-1 | I-5 | I-9 |
| I-2 | I-6 | I-10 |
| I-3 | I-7 | I-11 |
| I-4 | I-8 | I-12 |
| | | I-13 |

Fuel Tank

- | | |
|-----|-----|
| D-1 | D-3 |
| D-2 | D-4 |

Front Cowl

- | | |
|-----|------|
| A-1 | A-6 |
| A-2 | A-7 |
| A-3 | A-8 |
| A-4 | A-9 |
| A-5 | A-10 |



Exhaust

- | | | | | | |
|-----|------|------|------|------|------|
| G-1 | G-7 | G-13 | G-19 | G-19 | G-25 |
| G-2 | G-8 | G-14 | G-20 | G-20 | G-26 |
| G-3 | G-9 | G-15 | G-21 | G-21 | |
| G-4 | G-10 | G-16 | G-22 | G-22 | |
| G-5 | G-11 | G-17 | G-23 | G-23 | |
| G-6 | G-12 | G-18 | G-24 | G-24 | |

Front Tire

- | | |
|-----|------|
| J-1 | J-7 |
| J-2 | J-8 |
| J-3 | J-9 |
| J-4 | J-10 |
| J-5 | J-11 |
| J-6 | J-12 |



Steering

- | | | |
|-----|------|------|
| B-1 | B-7 | B-13 |
| B-2 | B-8 | B-14 |
| B-3 | B-9 | B-15 |
| B-4 | B-10 | B-16 |
| B-5 | B-11 | B-17 |
| B-6 | B-12 | |

12 Assembled Model and the List of Parts

Please refer to the photo below when attaching each component.

LEFT

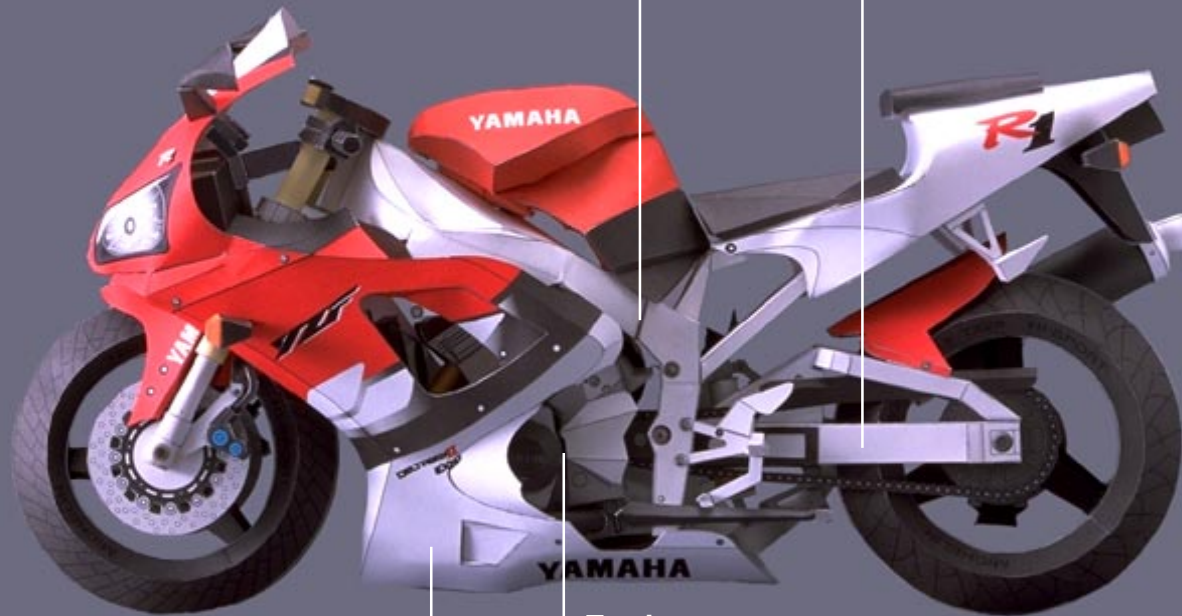
Frame

c-1	c-7	c-13	c-19
c-2	c-8	c-14	c-20
c-3	c-9	c-15	c-21
c-4	c-10	c-16	c-22
c-5	c-11	c-17	c-23
c-6	c-12	c-18	

Rear Arm

H-1	H-4	H-7	F-10
H-2	H-5	H-8	F-11
H-3	H-6	H-9	

REAR



Under Cowl

F-1	F-4	F-7	F-10	F-13
F-2	F-5	F-8	F-11	F-14
F-3	F-6	F-9	F-12	

Engine

E-1	E-7	E-13	E-19	E-19	E-25
E-2	E-8	E-14	E-20	E-20	E-26
E-3	E-9	E-15	E-21	E-21	
E-4	E-10	E-16	E-22	E-22	
E-5	E-11	E-17	E-23	E-23	
E-6	E-12	E-18	E-24	E-24	



Rear Tire

K-1	K-7
K-2	K-8
K-3	K-9
K-4	K-10
K-5	K-11
K-6	K-12